

## DATASHEET CONVENTIONAL WALL SOUNDER VAD (WHITE)

### CWS100-AV(W)

The CWS100-AV (W) Conventional Wall Sounder VAD is equipped with 3 levels of volume adjustment, high output LED beacon and 32 recognised tones which can be set via the control equipment or locally at the sounder.



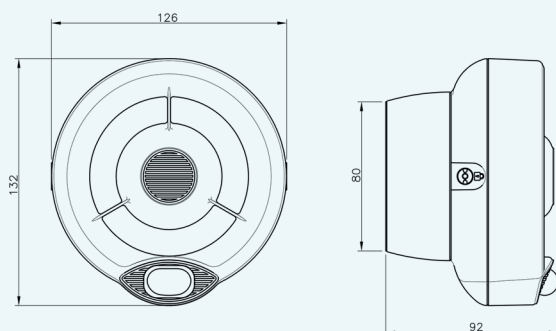
### KEY FEATURES

- 5 year product warranty
- 3rd party approved
- 32 Tone Settings
- Two stage alarm capability
- Easy to install
- Silent sounders setting for beacon only use
- Microphone self test facility
- Robust with high reliability

### TECHNICAL SPECIFICATION

Power supply voltage range	15Vdc – 40Vdc
Activated current load (High Vol.)	11-25 mA @ 24 Vdc
Acoustic Frequency range	400-2900 Hz
Maximum acoustic Output	100 dB(A) @ 1m
Visual Alarm Device Frequency	0.5 Hz or 1 Hz
EN54-23 Classification	W-2.5-7
Temperature range (no icing)	-25°C to +70°C
Unit weight (inc Back box)	290g
Max humidity (non condensing)	95% RH
IP rating	33C

### TECHNICAL INFORMATION



### STANDARDS & APPROVALS

- EN 54-3: Fire alarm devices - Sounders
- EN 54-23: Fire alarm devices - Visual alarm devices

