

DATASHEET

**WIRELESS SOUNDER INTERFACE MODULE +
CONVENTIONAL WALL SOUNDER**

TW-MWSO-01 + CWS100 (W)

The TW-MWSO-01 + CWS100 (W) Taurus Wall Sounder combines the Taurus Wireless Sounder Interface Module with the Conventional Wall Sounder (each sold separately). The Taurus Wall Sounder is a EN 54-3 (Type B) compliant acoustic device, equipped with 3 levels of volume adjustment and 32 recognised tones which can be set via the control equipment or locally at the sounder. The wireless wall sounder, once properly connected to a wireless system on a compatible loop, is fully controlled by the panel and benefits from an extensive range of intelligent control, test and monitoring functionality, including sounder synchronisation. Adaptive radio signal processing algorithms ensure the highest levels of life safety and reliability.



KEY FEATURES

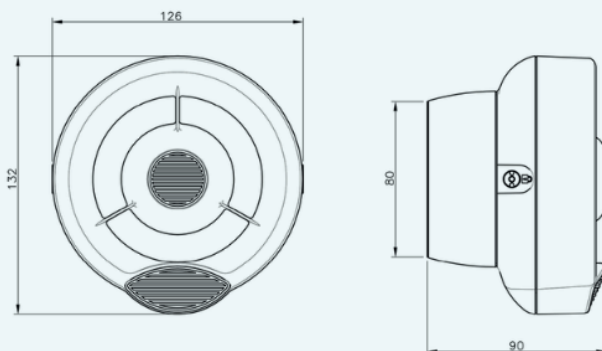
- Bi-directional wireless communication
- 32 tones settings (primary and secondary for alert and evacuation), selectable via onboard dip switches
- High sound output capability
- On site adjustable volume settings
- Waterproof certified to IPX5
- 22 pairs of field channels
- Dual channel redundancy
- Long communication range (≈1 km in open air)
- 5 year battery life (including weekly test)
- Utilises standard low-cost lithium battery technology
- Easy scan & link programming option
- 3rd party approval
- 5 year product warranty

TECHNICAL SPECIFICATION

| | |
|-------------------------------|--------------------------|
| Operating frequency range | 868 – 870 MHz |
| Max radiated power | 14dBm (25mW) |
| Acoustic Frequency range | 400-2900 Hz |
| Maximum acoustic Output | 100 dB(A) ± 3 |
| IP rating | X5 * |
| Batteries | 2x CR123A (3 V & 1.2 Ah) |
| Max humidity (non condensing) | 95% RH |
| Operating Temperature | -10°C to +55°C |
| Weight (without batteries) | 380 g |
| Dimensions | 132 mm x 126 mm x 90 mm |

* Whilst this is a type B product, we recommend avoiding direct exposure to extreme environmental situations (such as direct sun, extreme temperatures or heavy rain). Whenever the above conditions are likely to be met, it is advisable to protect the device with a dedicated protection.

TECHNICAL INFORMATION



STANDARDS & APPROVALS

- EN 54-3: Fire alarm devices - Sounders
- EN 54-25: Components using radio links



DATASHEET

WIRELESS SOUNDER INTERFACE MODULE + CONVENTIONAL WALL SOUNDER

TW-MWSO-01 + CWS100 (W)

TAURUS
By ARGUS SECURITY 

RELATED PRODUCT

The Taurus wireless system interface module (TW-MWSO-01) is designed for use with the Taurus range of modular wall sounders and beacons.

