

WIRELESS WALL SOUNDER VAD

SGWS-MOD + CWS100-AV (W)

The Wireless Wall Sounder VAD combines the Wireless Wall Sounder Module with the Conventional Wall Sounder VAD (each sold separately).

The Wireless Wall Sounder VAD is a EN 54-3 (Type B) and EN 54-23 compliant visual/alarm device, equipped with 3 levels of volume adjustment, high output LED beacon, and 32 recognised tones which can be set locally at the sounder. The wireless wall sounder VAD, once properly connected to a wireless system on a compatible loop, is fully controlled by the panel and benefits from an extensive range of intelligent control, test and monitoring functionality. Adaptive radio signal processing algorithms ensure the highest levels of life safety and reliability.



KEY FEATURES

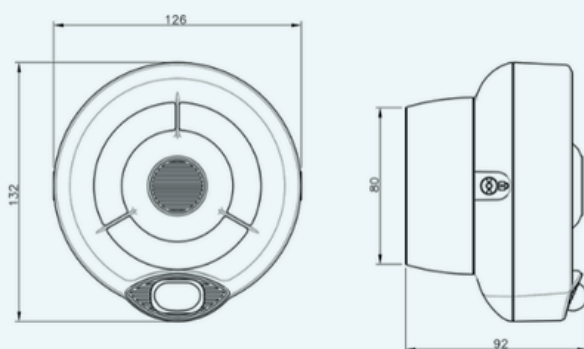
- Bi-directional wireless communication
- 32 tones settings selectable via onboard dip switches
- On site adjustable volume settings
- Silent sounders setting for beacon only use
- Waterproof certified to IPX5
- 200 m communication range (in open air)
- 3 year expected battery life including weekly test
- Utilises standard low cost lithium battery technology
- Also available in white
- 3rd party approved
- 5 year product warranty

TECHNICAL SPECIFICATION

Operating frequency range	868 – 870 MHz
Max radiated power	14dBm (25mW)
Acoustic Frequency range	400-2900 Hz
Maximum acoustic Output	100 dB(A) ± 3
Visual Alarm Device (VAD) colour	White
Visual Alarm Device (VAD) frequency	0.5 Hz
VAD flash coverage	W-2.5-7 (EN 54-23)
IP rating	X5 *
Batteries	2 x CR123A (3 V & 1.2 Ah)
Max humidity (non condensing)	85% RH
Operating Temperature	-10°C to +55°C
Weight	380 g
Dimensions	132 mm x 126 mm x 92 mm

* Whilst this is a type B product, we recommend avoiding direct exposure to extreme environmental situations (such as direct sun, extreme temperatures or heavy rain). Whenever the above conditions are likely to be met, it is advisable to protect the device with a dedicated protection.

TECHNICAL INFORMATION



STANDARDS & APPROVALS

- EN 54-3: Fire alarm devices - Sounders
- EN 54-23: Fire alarm devices - Visual alarm devices
- EN 54-25: Components using radio links



DATASHEET

WIRELESS WALL SOUNDER VAD

SGWS-MOD + CWS100-AV (W)

Orama group

RELATED PRODUCT

The Wall Sounder Wireless Module (SGWS-MOD) is designed for use with the Argus range of modular wall sounders and beacons.

