

DATASHEET

WIRELESS REMOTE INDICATOR

SGFI200-S/865

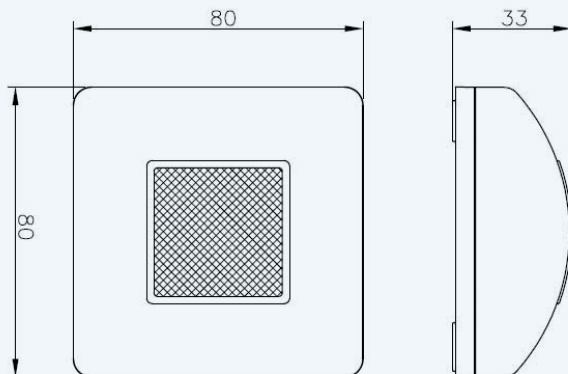
The SGFI200-S/865 Wireless Remote Indicator is a low profile unit with a large red LED panel, which can be used to indicate a variety of events or alarms on the fire system. When used with the Argus VW2W100 translator module the unit is fully programmable through the control equipment cause and effect. The device is ideal for indicating the activation of a detector which is located where visual alarm confirmation is difficult, such as a lift shaft, ceiling void or locked room. Indication of the operation of other part of the fire system is also possible. Powered by standard lithium batteries and utilising well proven adaptive radio signal processing algorithms ensures the highest levels of life safety and reliability.



KEY FEATURES

- Pleasing low profile design
- Bi-directional wireless communication
- 5 year product warranty
- Utilises dual low cost standard lithium batteries
- Bright indicator panel (red)
- Compatible with static Argus translators and expanders
- 5 year expected battery life
- Site programmable

TECHNICAL INFORMATION



TECHNICAL SPECIFICATION

Operating frequency range	865 MHz
Max radiated power	5dBm (3mW)
Operating frequency channels	7
Communication range with the Translator or Expander Module	150 m (in open space)
IP rating	42
Dimensions	80 mm x 80 mm x 33 mm
Weight (without batteries)	120g
Primary battery	CR123A (3 V & 1.2 Ah)
Secondary battery	CR2032A (3 V & 0.24 Ah)
Primary battery lifespan (typical)	≥ 5 years
Secondary battery lifespan (typical)	≥ 2 months
Operating Temperature (no icing)	-10°C to +55°C
Max humidity (non condensing)	95% RH

Argus Security S.r.l.

Via del Canneto, 14 – Località Vignano Z.I.
Valle delle Noghère
34015 Muggia (TS) Italy

T: +39-040.23.96.411
E: info@argussecurity.it
www.argussecurity.it