

INTELLIGENT WALL SOUNDER VAD

ALWS-MOD + CWS100-AV (W)

The Intelligent Wall Sounder VAD combines the Intelligent Wall Sounder Module with the Conventional Wall Sounder VAD (each sold separately).

The Intelligent Wall Sounder VAD is a EN 54-3 (Type B) and EN 54-23 compliant visual/alarm device, equipped with 3 levels of volume adjustment, high output LED beacon, and 32 recognised tones which can be set via the control equipment or locally at the sounder.



KEY FEATURES

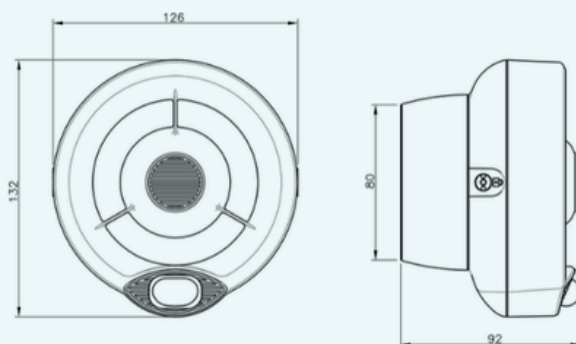
- 32 tones settings (primary and secondary for alert and evacuation),selectable via onboard dip switches
- On site adjustable volume settings
- Silent sounders setting for beacon only use
- Waterproof certified to IPX5
- Also available in white
- 3rd party approval to EN 54-3 (type B) and EN 54-23
- 5 year product warranty

TECHNICAL SPECIFICATION

Power supply voltage range	15Vdc – 40Vdc
Activated current load (High Vol.)	11-25 mA @ 24 Vdc
Acoustic Frequency range	400-2900 Hz
Maximum acoustic Output	100 dB(A) ± 3
Visual Alarm Device (VAD) colour	White
Visual Alarm Device (VAD) frequency	0.5 Hz
VAD flash coverage	W-2.5-7 (EN 54-23)
IP rating	X5*
Max humidity (non condensing)	85% RH
Operating Temperature	-10°C to +55°C
Weight	320 g
Dimensions (mm)	132 x 126 x 92

*Whilst this is a type B product, we recommend avoiding direct exposure to extreme environmental situations (such as direct sun, extreme temperatures or heavy rain). Whenever the above conditions are likely to be met, it is advisable to protect the device with a dedicated protection

TECHNICAL INFORMATION



STANDARDS & APPROVALS

- EN 54-3: Fire alarm devices - Sounders
- EN 54-17: Short-circuit isolators
- EN 54-18: Input/output devices
- EN 54-23: Fire alarm devices - Visual alarm devices



DATASHEET

INTELLIGENT WALL SOUNDER VAD

ALWS-MOD + CWS100-AV (W)

Orama group

RELATED PRODUCT

The Intelligent Wall Sounder Module (ALWS-MOD) is designed for use with the Argus range of modular wall sounders and beacons.

