

DATASHEET INTELLIGENT ADDRESSABLE BASE SOUNDER

ALBLS100-32/AV

The ALBLS100-32/AV is a fully intelligent and aesthetically pleasing low profile Base Sounder with combined 360° visual indicator. By utilising the Argus fully digital communication protocol, reliable and fast operation is achieved even when employing the impressive 240 device loop capacity. Once installed on to a compatible loop the device is fully addressable and benefits from an extensive range of intelligent functionality, including sounder synchronisation. The unit's integral detector base has easy access for loop cabling and allows for the connection of both the sounder and associated detector via a single set of cable terminations.



KEY FEATURES

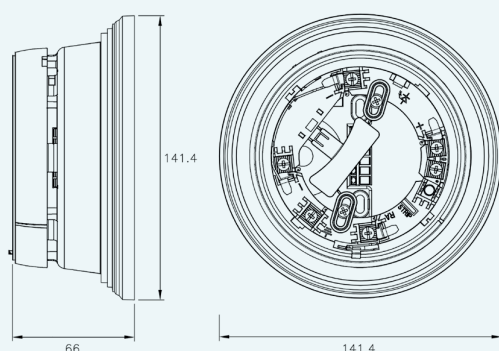
- Employs fully digital Argus protocol
- Built in loop isolators
- Offers full programming options
- Selection of 32 tones
- Synchronised sounder
- 360 degree visibility of VID when activated
- Adjustable volume output
- Auto-addressable via compatible panels
- Programmable via Device Programming Tool
- 5 year product warranty
- Includes device identification tab
- Easy central cable entry

TECHNICAL SPECIFICATION

Loop voltage range	15Vdc – 32Vdc (typically 24Vdc)*
Standby Current	70µA @ 24Vdc
Current consumption (activated) (Dual Tone)(Beacon on)	5 – 8mA @ 24Vdc
Maximum Volume	94dBA @ 1 metre
Tone Range	440Hz – 2900Hz
Dimensions of device	141.4mm x 66MM
Weight	220g
Temperature Range (no icing)	-10°C to +55°C
Max. humidity (non condensing)	95% RH
Max. number of loop addresses	240

*Min 18Vdc for operation of LED.

TECHNICAL INFORMATION



STANDARDS & APPROVALS

- EN 54-3: Fire alarm devices - Sounders

