

## PRODUCT DATASHEET

### SGWS-MOD + CWS100 WIRELESS WALL SOUNDER

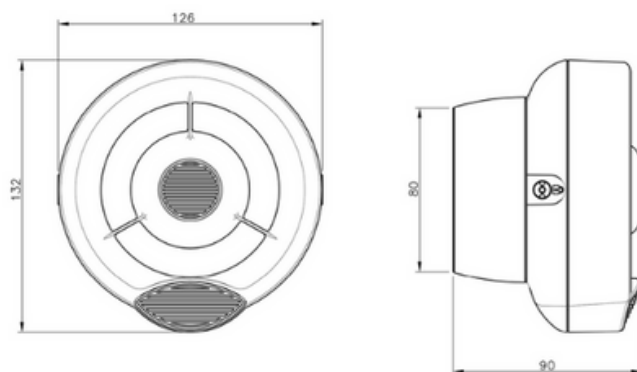
The Wireless Wall Sounder combines the Wireless Wall Sounder Module with the Conventional Wall Sounder (each sold separately). The Wall Sounder is a EN 54-3 (Type B) compliant acoustic device, equipped with 3 levels of volume adjustment and 32 recognised tones which can be set locally at the sounder. The wireless wall sounder, once properly connected to a wireless system on a compatible loop, is fully controlled by the panel and benefits from an extensive range of intelligent control, test and monitoring functionality. Adaptive radio signal processing algorithms ensure the highest levels of life safety and reliability.



## KEY FEATURES

- Bi-directional wireless communication
- 32 tones settings selectable via onboard dip switches
- High sound output capability
- On site adjustable volume settings
- Waterproof certified to IPX5
- 3 year expected battery life including weekly test
- 200 m communication range (in open air)
- Utilises standard low cost lithium battery technology
- Also available in white
- 3rd party approval to EN54-3 (type B)
- 5 year product warranty

## TECHNICAL INFORMATION



## TECHNICAL SPECIFICATION

- |                                 |                           |
|---------------------------------|---------------------------|
| • Operating frequency range     | 868 – 870 MHz             |
| • Max radiated power            | 14dBm (25mW)              |
| • Acoustic Frequency range      | 400-2900 Hz               |
| • Maximum acoustic Output       | 100 dB(A) ± 3             |
| • IP rating                     | X5                        |
| • Batteries                     | 2 x CR123A (3 V & 1.2 Ah) |
| • Max humidity (non condensing) | 85% RH                    |
| • Operating Temperature         | -10°C to +55°C            |
| • Weight                        | 350 g                     |
| • Dimensions                    | 132 mm x 126 mm x 90 mm   |

## STANDARDS & APPROVALS

- EN54-3 (Type B): Fire Alarm Device, Sounders



## RELATED PRODUCT

The Wall Sounder Wireless Module (SGWS-MOD) is designed for use with the Argus range of modular wall sounders and beacons.

