

INTELLIGENT WALL SOUNDER

ALWS-MOD + CWS100

The Intelligent Wall Sounder combines the Intelligent Wall Sounder Module with the Conventional Wall Sounder (each sold separately). The Wall Sounder is a EN 54-3 (Type B) compliant acoustic device, equipped with 3 levels of volume adjustment and 32 recognised tones which can be set locally at the sounder.



KEY FEATURES

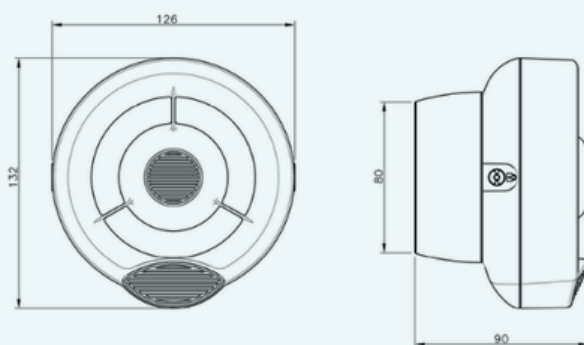
- 32 tones settings (primary and secondary for alert and evacuation), selectable via onboard dip switches
- High sound output capability
- On site adjustable volume settings
- Waterproof certified to IPX5
- Also available in white
- 3rd party approval to EN 54-3 (type B)
- 5 year product warranty
- Robust and highly reliable

TECHNICAL SPECIFICATION

Power supply voltage range	15Vdc – 40Vdc
Activated current load (High Vol.)	5–8 mA @ 24 Vdc
Acoustic Frequency range	400–2900 Hz
Maximum acoustic Output	100 dB(A) @ 1m
IP rating	X5*
Max humidity (non condensing)	85% RH
Operating Temperature	-10°C to +55°C
Weight	290 g
Dimensions (mm)	132 x 126 x 90

*Whilst this is a type B product, we recommend avoiding direct exposure to extreme environmental situations (such as direct sun, extreme temperatures or heavy rain). Whenever the above conditions are likely to be met, it is advisable to protect the device with a dedicated protection

TECHNICAL INFORMATION



STANDARDS & APPROVALS

- EN 54-3: Fire alarm devices - Sounders
- EN 54-17: Short-circuit isolators
- EN 54-18: Input/output devices



DATASHEET

INTELLIGENT WALL SOUNDER

ALWS-MOD + CWS100

RELATED PRODUCT

The Intelligent Wall Sounder Module (ALWS-MOD) is designed for use with the Argus range of modular wall sounders and beacons.

