

## PRODUCT DATASHEET

ALWS-MOD + CWS100-AV

### INTELLIGENT WALL SOUNDER VAD

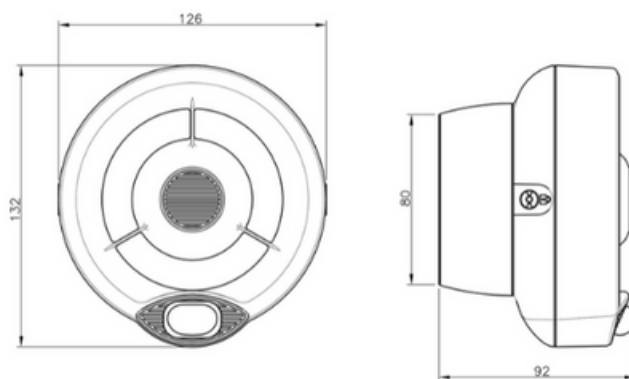
The Intelligent Wall Sounder VAD combines the Intelligent Wall Sounder Module with the Conventional Wall Sounder VAD (each sold separately). The Intelligent Wall Sounder VAD is a EN 54-3 (Type B) and EN 54-23 compliant visual/alarm device, equipped with 3 levels of volume adjustment, high output LED beacon, and 32 recognised tones which can be set via the control equipment or locally at the sounder.



#### KEY FEATURES

- 32 tones settings (primary and secondary for alert and evacuation), selectable via onboard dip switches
- On site adjustable volume settings
- Silent sounders setting for beacon only use
- Waterproof certified to IPX5
- Also available in white
- 3rd party approval to EN54-3 (type B) and EN54-23
- 5 year product warranty

#### TECHNICAL INFORMATION



#### TECHNICAL SPECIFICATION

|                                       |                         |
|---------------------------------------|-------------------------|
| • Power supply voltage range          | 15Vdc – 40Vdc           |
| • Activated current load (High Vol.)  | 11-25 mA at 24 Vdc      |
| • Acoustic Frequency range            | 400-2900 Hz             |
| • Maximum acoustic Output             | 100 dB(A) ± 3           |
| • Visual Alarm Device (VAD) colour    | White                   |
| • Visual Alarm Device (VAD) frequency | 0.5 Hz                  |
| • VAD flash coverage                  | W-2.5-7 [EN 54-23]      |
| • IP rating                           | X5                      |
| • Max humidity (non condensing)       | 85% RH                  |
| • Operating Temperature               | -10°C to +55°C          |
| • Weight                              | 320 g                   |
| • Dimensions                          | 132 mm x 126 mm x 92 mm |

#### STANDARDS & APPROVALS

- EN54-3 (Type B): Fire Alarm Device, Sounders
- EN 54-23: Fire Alarm Devices, Visual Alarm Devices



## RELATED PRODUCT

The Intelligent Wall Sounder Module (ALWS-MOD) is designed for use with the Argus range of modular wall sounders and beacons.

