

## DATASHEET INTELLIGENT OUTPUT MODULE (PLATE MOUNT)

### VMC100

The Argus module range provides an ideal solution to the monitoring and control requirements of most fire detection and alarm systems, ranging from small and simple, to large and complex. By utilising the Argus fully digital communication protocol, reliable and fast operation is achieved even when employing the impressive 240 device loop capacity. A choice of mechanical configurations provides easy integration of the units into a variety of field locations. The VMC100 is mounted on a standard faceplate and can be used with a surface back box or flush mounted and provides the capability to remotely control a single ancillary circuit using external power, whilst supervising the output wiring for fault conditions. Bi-colour LEDs provide local indication of device status.



### KEY FEATURES

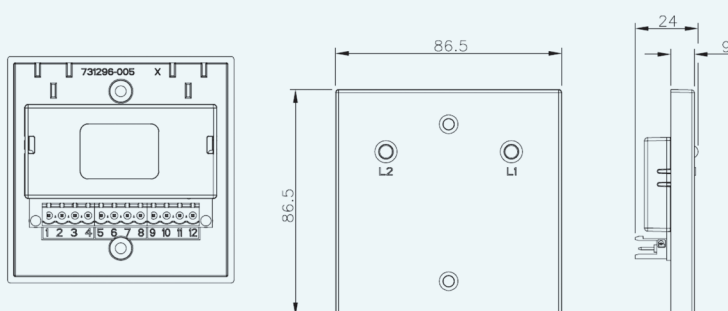
- Employs the highly reliable Argus digital protocol
- Integrated short circuit isolators to protect and maintain operation
- Loop powered with very low current consumption
- Robust proven design offering operation over a wide temperature range
- Single monitored output circuit plus provision for external power input switching
- Alternate mechanical variants available to satisfy different applications
- Bi-colour LEDs show local status
- Fast fit plug-in cable connections
- Fits to single gang (deep) back box
- 5 year product warranty

### TECHNICAL SPECIFICATION

Loop voltage range	15Vdc – 40Vdc*
Normal Standby Current	200µA @ 24Vdc
Alarm Current (1 red LED)	6mA @ 24Vdc
Dimensions	86.5 x 86.5 x 24mm (ex-back box)
Max output rating	2A @ 30VDC
Temperature Range (no icing)	-10°C to +55°C
Max. humidity (non condensing)	95% RH
Weight	200g

\*Min 18Vdc for operation of LED.

### TECHNICAL INFORMATION



### STANDARDS & APPROVALS

- EN 54-17: Short-circuit isolators
- EN 54-18: Input/output devices

