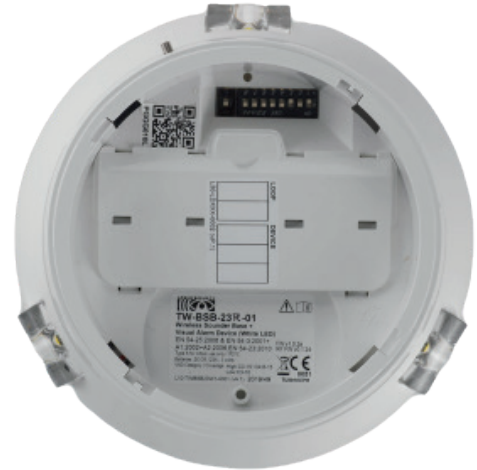


DATASHEET WIRELESS VAD & SOUNDER BASE, RED LED

TW-BSB-23R-01

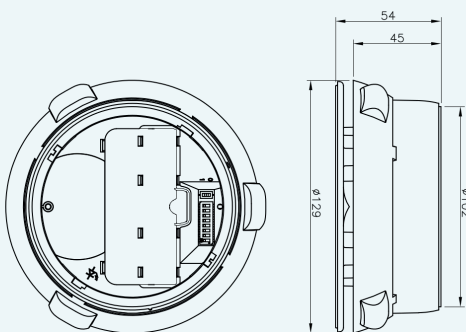
The TW-BSB-23R-01 Taurus Wireless VAD and Sounder Base is a high performance wireless device, incorporating an EN 54-23 compliant VAD used to alert people in the event of a fire. Each device has an integral moulded base for mounting a Taurus wireless detector or a sounder blanking cap if a detector is not required. The unit has as standard 32+32 recognised sounder tones (primary and secondary) and 4 levels of volume adjustment, as well as high power/low power visual settings, all of which can be easily configured on site. Powered by standard lithium batteries and utilising well proven adaptive radio signal processing algorithms ensure the highest levels of life safety and reliability.



KEY FEATURES

- Only compatible with Taurus detectors
- 32 tones settings (primary and secondary for alert and evacuation), selectable via onboard dip switches
- 4 volume levels
- Bi-directional wireless communication
- Can be used with Taurus addressable and conventional translators
- 22 pairs of field channels
- Dual channel redundancy
- Long communication range (≈ 1 km in open air)
- 5 year battery life (including weekly test)
- Utilises standard low-cost lithium battery technology
- Easy scan & link programming option
- Security screw to prevent tampering and unwanted removal
- 3rd party approved
- Red and white blanking cap options
- 5 year product warranty

TECHNICAL INFORMATION



TECHNICAL SPECIFICATION

Operating frequency range	868 – 870 MHz
Max radiated power	14dBm (25mW)
Weight (without batteries)	244 g
Batteries	2x CR123A (3 V & 1.2 Ah)
Battery lifespan (typical)	5 years
Dimensions	129 mm x 54 mm
Operating Temperature	-10°C to +55°C
Max humidity (non condensing)	95% RH
Sound Output (typical)	88-91dBA (tone dependent)
2 EN 54-23 compliant visual settings	high power/low power
High power	C-3-15/ O-4.6-15
Low power	C-3-10

STANDARDS & APPROVALS

- EN 54-3: Fire alarm devices - Sounders
- EN 54-23: Fire alarm devices - Visual alarm devices
- EN 54-25: Components using radio links



DATASHEET
**WIRELESS VAD & SOUNDER BASE,
RED LED**
TW-BSB-23R-01

BLANKING CAP OPTIONS



White blanking cap (LID100-SG/W)



Red blanking cap (LID100-SG/R)