

DATASHEET

WIRELESS SOUNDER BASE

TW-BS-01

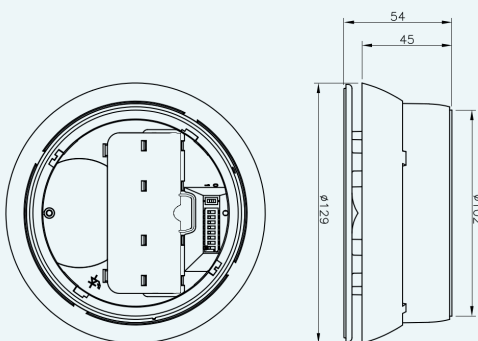
The TW-BS-01 Taurus Base Sounder unit is a high performance wireless sounder base that can be used as stand-alone notification device (with a blanking cap) or as a combined detection and alarm device when fitted with an integral Taurus optical, heat or multi detector. The TW-BS-01 unit has as standard 32+32 recognised sounder tones (primary and secondary) and 4 levels of volume adjustment, all of which can be easily configured on site. It is powered by standard lithium batteries and utilising well proven adaptive radio signal processing algorithms ensure the highest levels of life safety and reliability.



KEY FEATURES

- Only compatible with Taurus detectors
- 32 tones settings (primary and secondary for alert and evacuation), selectable via onboard dip switches
- 4 volume levels
- Bi-directional wireless communication
- Can be used with Taurus addressable and conventional translators
- 22 pairs of field channels
- Long communication range (≈ 1 km in open air)
- Dual channel redundancy
- 5 year battery life (including 10 seconds weekly test)
- Utilises standard low-cost lithium battery technology
- Device identification tab
- Easy scan & link programming option
- Security screw to prevent tampering and unwanted removal
- 3rd party approval to EN 54-3 and EN 54-25
- Red and white blanking cap options
- 5 year product warranty

TECHNICAL INFORMATION



TECHNICAL SPECIFICATION

Operating frequency range	868 – 870 MHz
Max radiated power	14dBm (25mW)
IP rating	21C
Weight (without batteries)	224 g
Batteries	2x CR123A (3 V & 1.2 Ah)
Battery lifespan (typical)	5 years
Dimensions	129 mm x 54 mm
Operating Temperature	-10°C to +55°C
Max humidity (non condensing)	95% RH
Sound Output (typical)	88-91dBA (tone dependent)

STANDARDS & APPROVALS

- EN 54-3: Fire alarm devices - Sounders
- EN 54-25: Components using radio links



DATASHEET
WIRELESS SOUNDER BASE

TW-BS-01



BLANKING CAP OPTIONS



White blanking cap (LID100-SG/W)



Red blanking cap (LID100-SG/R)