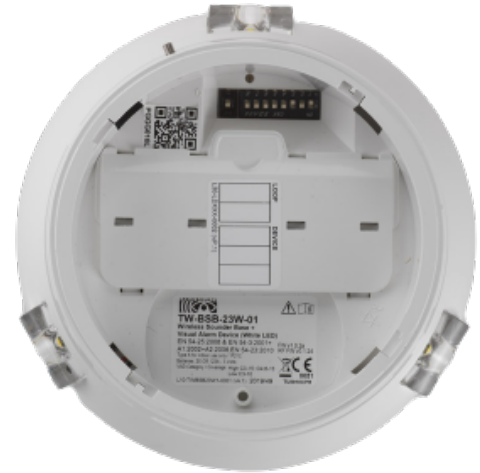


WIRELESS VAD & SOUNDER BASE, WHITE LED

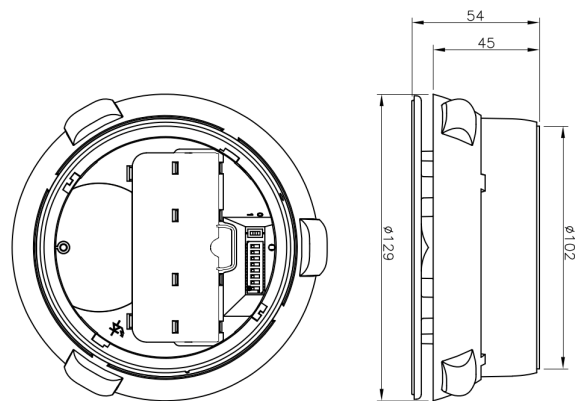
The TW-BSB-23W-01 Taurus Wireless VAD & Sounder Base is a high performance device, incorporating an EN54-23 compliant VAD used to alert people in the event of a fire. Each unit has an integral moulded base for mounting an wireless detector or a sounder cover if a detector is not required. The unit has as standard 32 recognised sounder tones (primary and secondary) and 4 levels of volume adjustment, as well as high power/low power visual settings, all of which can be easily configured on site. Powered by standard lithium batteries and utilising well proven adaptive radio signal processing algorithms ensure the highest levels of life safety and reliability.



KEY FEATURES

- Only compatible with Taurus detectors
- 32 tones settings (primary and secondary for alert and evacuation), selectable via onboard dip switches
- 4 volume levels
- Bi-directional wireless communications
- Can be used with Taurus addressable and conventional translators
- 22 pairs of field channels
- Dual channel redundancy
- Long communication range ($\cong 1$ km in open air)
- 5 year battery life (including weekly test)
- Utilises standard low-cost lithium battery technology
- Easy scan & link programming option
- Security screw to prevent tampering and unwanted removal
- 3rd party approval to EN54-3, EN54-23 and EN54-25
- Red and white blanking cap options
- 5 year product warranty

TECHNICAL INFORMATION



TECHNICAL SPECIFICATION

Operating frequency range	868 – 870 MHz
Max radiated power	14dBm (25mW)
IP rating	21C
Weight (without batteries)	244 g
Batteries	2x CR123A (3 V & 1.2 Ah)
Battery lifespan (typical)	5 years
Dimensions	129 mm x 54 mm
Operating Temperature	-10°C to +55°C
Max humidity (non condensing)	95% RH
Sound Output (typical)	88-91dBA (tone dependant)
2 EN 54-23 compliant visual settings	high power/low power
High power	C3-15/ 04.6-15
Low power	C3-10

STANDARDS & APPROVALS

- EN 54-25: Components using radio links and system requirements
- EN 54-3: Fire alarm devices
- EN-54-23: Visual Alarm devices



0051

ORDER CODE

TW-BSB-23W-01

WIRELESS VAD & SOUNDER BASE, WHITE LED

BLANKING CAP OPTIONS



White blanking cap (LID100-SG/W)



Red blanking cap (LID100-SG/R)

Check if this document is up to date

Argus Security Srl, Via del Canneto, 14, 34015 Muggia, (TS), Italia T: +39-040.23.96.411, E: info@argussecurity.it, W: www.argussecurity.it

As our policy is one of constant product improvement the right is therefore reserved to modify product specifications without prior notice.