

## DATASHEET

# WIRELESS SOUNDER BASE/VISUAL INDICATOR

### SGRBS100-AV/L

The SGRBS100-AV/L Wireless Sounder Base with Visual Indicator unit is an aesthetically pleasing and cost effective alternative to traditional wall mounted units where visual impact is important.

Each unit has an integral moulded base for mounting an Argus wireless detector or a sounder cover if a detector is not required.

The unit has as standard 32 recognised sounder tones and 3 levels of volume adjustment, all of which can be easily configured on site.

Additional to the audible warning the unit is also fitted with a LED visual indicator for added warning capability. Utilising well-proven adaptive radio signal processing algorithms ensures the highest levels of life safety and reliability.



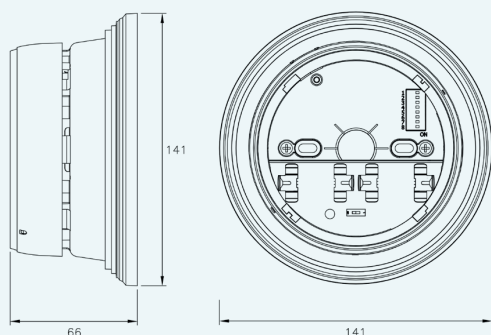
## KEY FEATURES

- 3rd party Approval to EN 54-25 and EN 54-03
- Bi-directional wireless communication
- 5 year product warranty
- Utilises dual low cost standard lithium batteries
- Choice of 32 recognised tones
- Compatible with all Argus translators and expanders
- Additional LED visual indicator
- Red and white cover options
- 3 volume levels
- 3 year expected battery life

## TECHNICAL SPECIFICATION

Operating frequency range	868 - 870 MHz
Operating frequency channels	7
Communication range with the Translator or Expander Module	≤ 150m (in open space)
IP rating	21C (Type A for indoor use only)
Sound Output (typical)	70-95dBA (tone dependant)
Number of Tones	32
Visual Indicator frequency	1Hz
Dimensions	141 mm x 66 mm
Weight (without batteries)	260g
Primary battery	CR123A (3 V & 1.2 Ah)
Secondary battery	CR123A (3 V & 1.2 Ah)
Primary battery lifespan (typical)	≥ 3 years
Secondary battery lifespan (typical)	≥ 2 months
Operating Temperature	-10°C to +55°C
Max humidity (non condensing)	95% RH

## TECHNICAL INFORMATION



## STANDARDS & APPROVALS

- EN 54-3: Fire alarm devices - Sounders
- EN 54-25: Components using radio links

