

DATASHEET WIRELESS DOOR HOLDER DEVICE

SGDH100

The SGDH100 wireless magnetic door holder is compatible with all of the Argus Wireless Translator and Expander Modules enabling it to be easily integrated into a new or existing wireless system, linked to any wired system or even used as a standalone system. Its fully wireless and battery powered capability means it requires no wiring or power supply, making installation quick, easy and cost effective.

The Argus range of wireless devices are third party approved and utilise the latest cutting edge technologies and features. The well proven adaptive radio signal processing algorithms combined with the latest in magnet technology ensure the highest levels of life safety and system reliability.



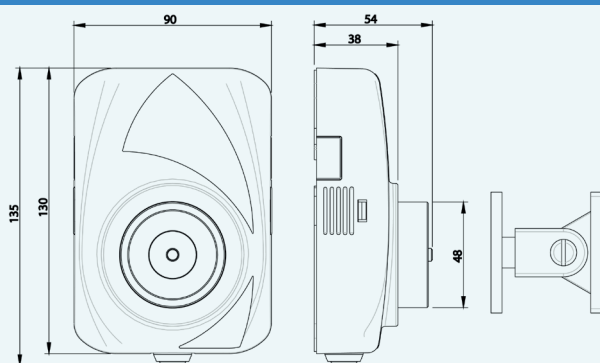
KEY FEATURES

- Approved to EN 1155
- Easy and Fast installation
- Local door release button
- 5 year battery life
- Utilises standard low cost lithium battery technology
- Bi-directional wireless communication
- Fail Safe monitoring to BS 7273 - 4:2015 category A, B and C
- High holding force
- 5 year product warranty
- Door closed monitoring option

TECHNICAL SPECIFICATION

Operating frequency range	868 – 870 MHz
Max radiated power	14dBm (25mW)
Operating frequency channels	7
Communication range	<200m (in open space)
Dimensions	90mm x 135mm x 54mm
Batteries	2 x CR123
Weight (without batteries)	740 g
Temperature range (no icing)	-10°C to +55°C
Max humidity (non condensing)	95% (RH)
Typical battery life	>5 years
IP rating	30
ISA or the Sagittarius protocol	

TECHNICAL INFORMATION



STANDARDS & APPROVALS

- EN 1155: Electrically Powered Hold Open Devices

