

## WIRELESS MULTI-CRITERIA DETECTOR

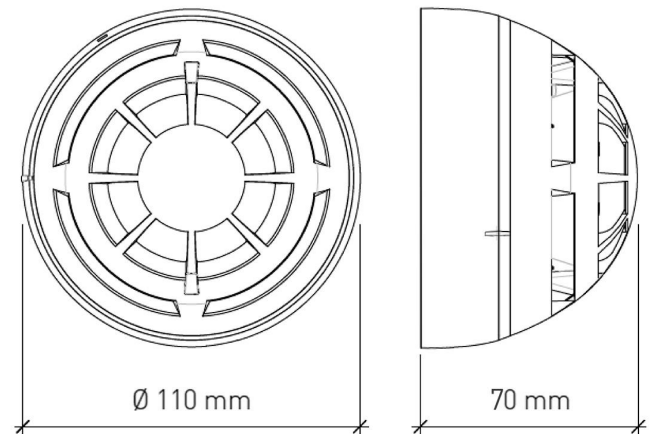
The TW-DM-01 Taurus wireless multi-criteria detector is the latest in wireless multi-criteria detector technology. The detector is a fully intelligent device combining both smoke and heat detection technologies for improved performance, whilst maintaining high levels of unwanted alarm rejection. Utilising well-proven adaptive radio signal processing algorithms ensure the highest levels of life safety and system reliability are achieved. An in-built magnet test allows easy activation to verify correct functionality and response.



### KEY FEATURES

- Advanced dual optical chamber design
- Twin alarm LEDs for 360° visibility
- Multiple operating settings
- Advanced drift compensation
- Bi-directional wireless communication
- Can be used with Taurus addressable and conventional translators
- 22 pairs of field channels
- Long communication range ( $\cong 1$  km in open air)
- Dual channel redundancy
- 10 year battery life
- Utilises standard low cost lithium battery technology
- Device identification tab
- Security screw to prevent tampering and unwanted removal
- Easy scan & link programming option
- 3rd party approved
- 5 year product warranty
- Tri-coloured LED

### TECHNICAL INFORMATION



## TECHNICAL SPECIFICATION

|                               |                |
|-------------------------------|----------------|
| Operating frequency range     | 868 – 870 MHz  |
| Max radiated power            | 14dBm (25mW)   |
| Dimensions                    | 110mm x 70mm   |
| Weight (without batteries)    | 155 g          |
| Batteries                     | 2x CR123A      |
| Operating Temperature         | -10°C to +55°C |
| Max humidity (non condensing) | 95% RH         |
| IP rating                     | 40             |

## STANDARDS & APPROVALS

- EN54-5 Class A1R: Heat Detectors
- EN54-7 Smoke Detectors
- EN54-25: Components using radio links



0051

## BASE COMPATIBILITY

This device is supplied with a standard base and is compatible with the following Argus base sounders:

- TW-BS-01 Wireless Sounder Base
- TW-BSB23W-01 Wireless Sounder Bases+ beacon white light (EN-54 23 approved)
- TW-BSB-23R-01 Wireless Sounder Bases+ beacon red light (EN-54 23 approved)

## ORDER CODE

TW-DM-01

TAURUS WIRELESS MULTI-CRITERIA DETECTOR

[Check if this document is up to date](#)

Argus Security Srl, Via del Canneto, 14, 34015 Muggia, (TS), Italia **T:** +39-040.23.96.411, **E:** info@argussecurity.it, **W:** www.argussecurity.it

As our policy is one of constant product improvement the right is therefore reserved to modify product specifications without prior notice.