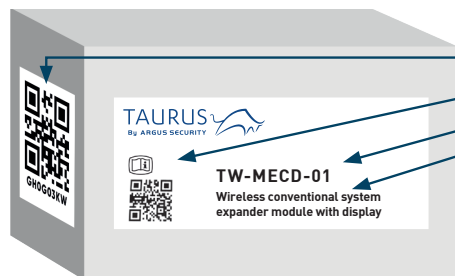


## QUICK START GUIDE



### THE BOX

- Taurus QR code
- Manual QR code
- Product code
- Product name

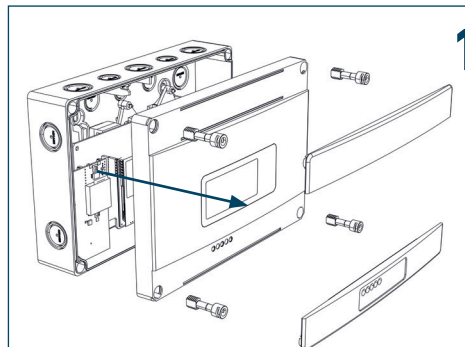
### INSIDE THE BOX

- 1 x Wireless Conventional Expander Module
- 4 x Screws
- 1 x Quick start guide
- 1 x QR code
- 1 x CR2032 battery

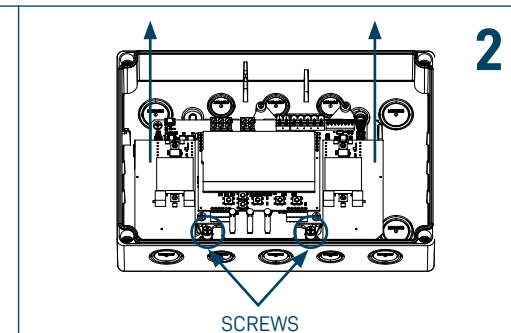
### MOUNTING STEPS

The Conventional Expander Module is IP65 rated, suitable for external mounting. The back box must be installed on the wall as flat as possible to retain IP rating, to prevent distortion of the housing and the ingress of contamination and/or moisture.

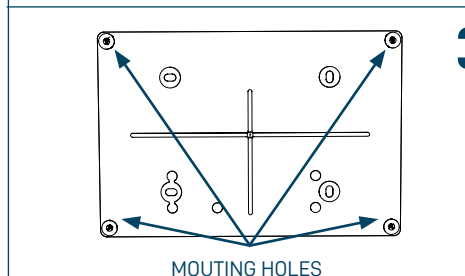
Proceed as follows to complete the device installation.



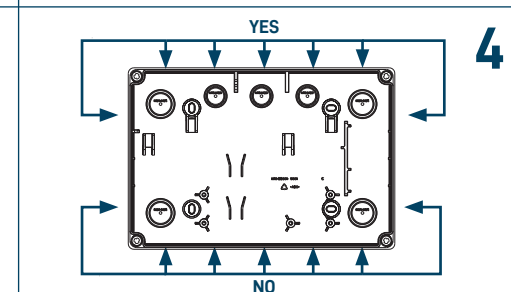
Remove top and bottom front plastics that cover screws, unscrew all four screws and remove the lid from the back box.



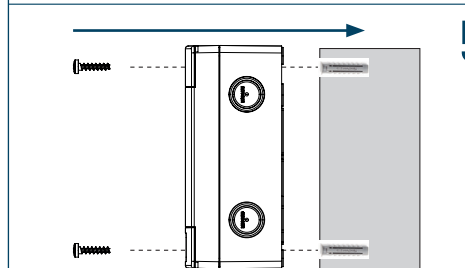
Remove the electronic PCB assembly from the enclosure. The PCB is held by two Philips screws below the display, it then slides up and out.



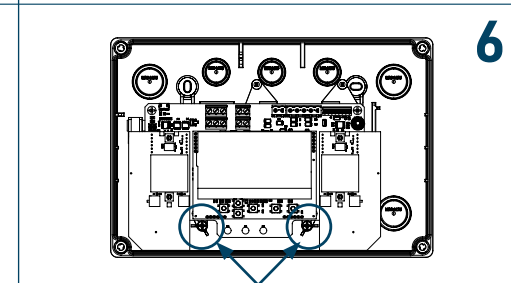
Using a suitable-sized drill bit (4mm) drill the pre-defined screw mounting points in the 4 corners of the backbox.



Prepare apertures (20mm knockouts) required for cable access and fit appropriate rated glands.



Screw the back box to the wall using all fixing holes and appropriate-sized roundhead screws (do not use countersunk screws).



Insert cable, tighten glands and refit PCB and securing screws.



### IMPORTANT TO CONSIDER

When mounting a wireless device a comprehensive radio survey should have been carried out to establish the location that provides the best coverage and optimum reach. Taking into consideration the building structure and materials, the survey identifies the wireless infrastructure required and product locations for optimum performance, identifying any factor that could prevent radio integrity.

Avoid fixing or mounting the unit close to the following:

- Equipment that utilises large electrical currents
- Large metal objects or structures
- Fluorescent lighting fittings
- Metal ceiling structures
- IT cabling.

Keep 2 meters minimum spacing between other wireless equipment in the area to avoid signal interference.



EN54 approved environmental temperature range is -10°C to +55°C

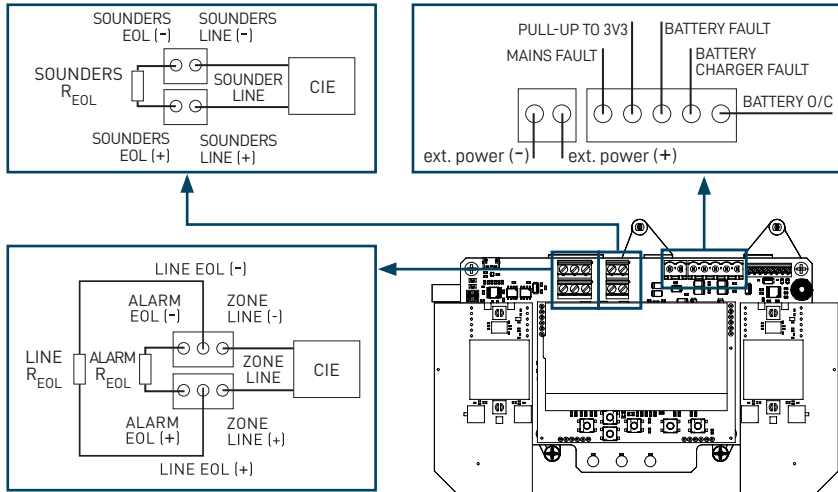
### UNBOXING

- The Conventional Expander Module has removable top and bottom front plastics to cover screw housings.
- The Conventional Expander Module is housed in an IP65 rated box, with knockouts for IP rated glands.
- 4 plastic screws are provided to secure the lid.

For more information, please refer to the complete product manual.

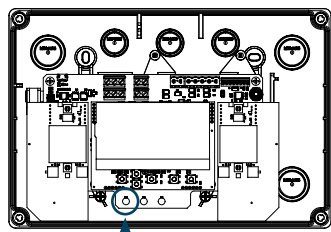
QUICK START GUIDE

7



- Connect the conventional zone line's terminals to the relevant connector.
- Install the Alarm and the Line EOL resistors and connect to the relevant connector. Note: resistor's value should be indicated in the control panel's datasheet / instructions manual.
- Connect the sounder line's terminals (optional) to the relevant connector and ensure you install the correct sounders  $R_{EOL}$  resistor.
- Connect the power supply terminals (EN54-4 certified power source is required).
- Connect the power supply's monitoring inputs (optional).

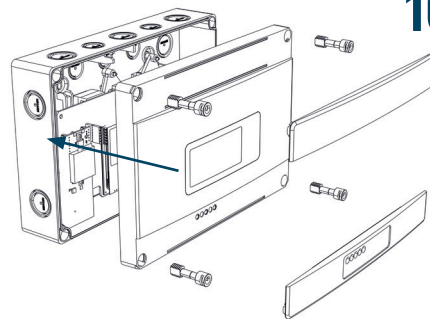
8



GREEN LED

The conventional expander will power up and will be ready for commissioning.

10



- Screw the lid to the back box using the supplied plastic screws and refit top and bottom front plastics that cover screw housings.
- Put the QR code available in the box either on the system map or on the dedicated pages at the end of conventional expander manual.