

PRODUCT DATASHEET

L-OP-SG WIRELESS (LIBRA) DUAL OPTICAL SMOKE DETECTOR

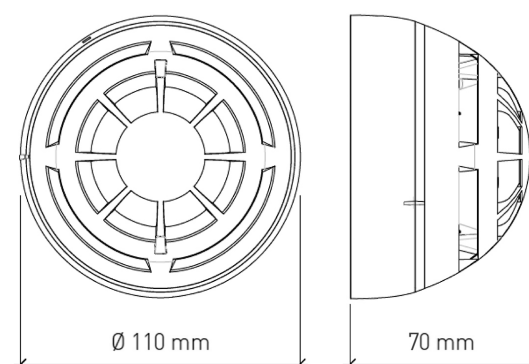
The L-OP-SG wireless dual optical smoke detector is the latest in wireless smoke detector technology. It is a fully intelligent device and compatible with all Argus wireless Translator and Expander modules. The detector is designed for open area protection and utilises dual-path optical smoke detection technologies and algorithms for improved performance, whilst maintaining the high levels of unwanted alarm rejection. Utilising well-proven adaptive radio signal processing algorithms ensure the highest levels of life safety and system reliability are achieved. An in-built magnet test allows easy activation to verify correct functionality and response.



KEY FEATURES

- Advanced dual path optical chamber design
- Internal algorithm processing optimises performance
- 3rd party approved
- 8 year battery life
- Utilises standard low cost lithium battery technology
- Bi-directional wireless communications
- Compatible with all Argus translators and Expanders
- Colour options available
- 5 year product warranty
- Device identification tab
- Dual angle scattering analysis
- Fast test feature for engineer testing

TECHNICAL INFORMATION



TECHNICAL SPECIFICATION

■ Operating frequency range	868 – 870 MHz
■ Max. radiated power	14 dBm (25mW)
■ Operating frequency channels	7
■ Communications range (in open space)	<200m
■ Dimensions	110mm x 70mm
■ Temperature Range (no icing)	-10°C to +55°C **
■ Max tolerated humidity (non condensing)	95% RH
■ IP Rating	40

STANDARDS & APPROVALS

- BS EN 54-7 Smoke Detectors
- BS EN54-25: Components using radio links



*Minimum 18V with LED operation **Performance may vary at extremes of range