

## DATASHEET **CONVENTIONAL WALL SOUNDER (RED)**

### CWS100

The CWS100 Conventional Wall Sounder is equipped with 3 levels of volume adjustment and 32 recognised tones which can be set via the control equipment or locally at the sounder. The device is weatherproof.



### KEY FEATURES

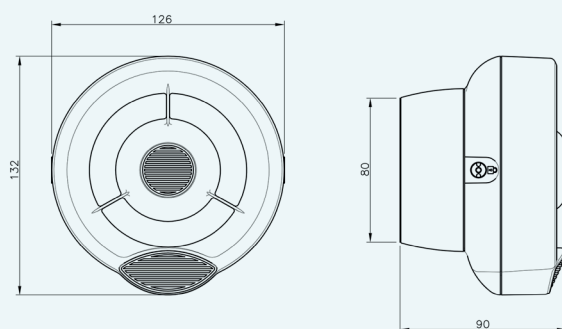
- 5 year product warranty
- 3rd party approved
- 32 Tone Settings
- Two stage alarm capability
- Weatherproof as standard
- Easy to install
- High sound output capability
- On site adjustable volume settings
- Microphone self test facility
- Robust with high reliability

### TECHNICAL SPECIFICATION

Power supply voltage range	15Vdc – 40Vdc
Activated current load (High Vol.)	5-8 mA at 24 Vdc
Acoustic Frequency range	400-2900 Hz
Maximum acoustic Output	100 dB(A) @ 1m
Temperature range (no icing)	-25°C to +70°C
Unit weight (inc Back box)	290g
Max humidity (non condensing)	95% RH
IP rating	Designed to meet IP 65 *

\* Whilst this is a type B product, we recommend avoiding direct exposure to extreme environmental situations (such as direct sun, extreme temperatures or heavy rain). Whenever the above conditions are likely to be met, it is advisable to protect the device with a dedicated protection.

### TECHNICAL INFORMATION



### STANDARDS & APPROVALS

- EN 54-3: Fire alarm devices - Sounders

